

CM MODEL	A (IN)	B (IN)	C (IN)	D (IN)	NO. RIVETS
10	12-5/8	7-3/4	10-1/4	1-15/16	4
12	15-1/16	9-3/16	13-1/16	1-15/16	4
14	16-5/8	10-1/4	14-11/16	1-15/16	4
16	18-1/4	11-9/16	16-3/8	1-15/16	4
18	20-1/4	12-7/8	18-5/16	1-15/16	6
20	22-7/16	14-1/2	20-3/8	1-15/16	6
22	25-1/16	16-3/8	22-15/16	1-15/16	6
24	27-15/16	18-5/16	25-5/8	1-15/16	6
27	30-7/8	20-7/16	28-11/16	2-1/2	8
30	34-5/16	23	31-7/8	2	8
36	38	25-11/16	35-13/16	2-11/16	8

NOTE: DIMENSIONS ROUNDED TO NEAREST 1/16"

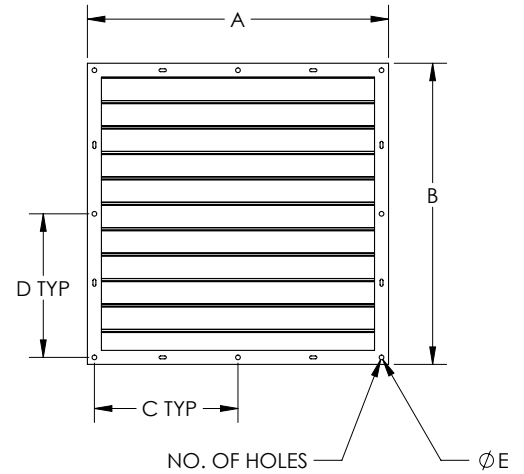
ACCESSORY MODEL	1	2	3	4	5	REMARKS

Project: _____	Submitted: _____
Customer: _____	Approved: _____
Location: _____	

JencoFan will not be responsible for fabrication changes or errors resulting from customer use of a non-current submittal drawing.

### Features

- Heavy-duty interconnecting blade design opens by velocity.
- Helps prevent the entry of unwanted objects and backdrafts.
- Outlet flange is required (included with damper).
- Maximum temperature is 200 degrees F.
- Maximum face velocity is 3500 FPM.
- Not for UL762 use.
- Damper cannot be used with TAD, DB, & BAD positions.



CM MODEL	A (IN)	B (IN)	C (IN)	D (IN)	E (IN)	NO. OF HOLES
10	9-9/16	15-3/16	4-1/16	6-7/8	3/8	8
12	11-5/16	18-7/16	4-15/16	5-11/16	3/8	10
14	12-1/4	20-5/16	5-7/16	6-5/16	3/8	10
16	13-5/16	22-7/16	5-15/16	7	3/8	10
18	14-5/8	24-7/8	6-5/8	7-7/8	3/8	10
20	16-1/16	27-5/8	7-3/8	8-3/4	3/8	10
22	17-9/16	30-5/8	5-3/8	7-5/16	3/8	14
24	19-9/16	34	6-1/16	8-3/16	3/8	14
27	21-3/8	37-7/8	6-5/8	9-1/8	3/8	14
30	23-1/2	42-1/8	5-1/2	8-3/16	3/8	18
36	25-15/16	47	6-1/8	9-1/8	3/8	18

NOTE: DIMENSIONS ROUNDED TO NEAREST 1/16"

ACCESSORY MODEL	1	2	3	4	5	REMARKS

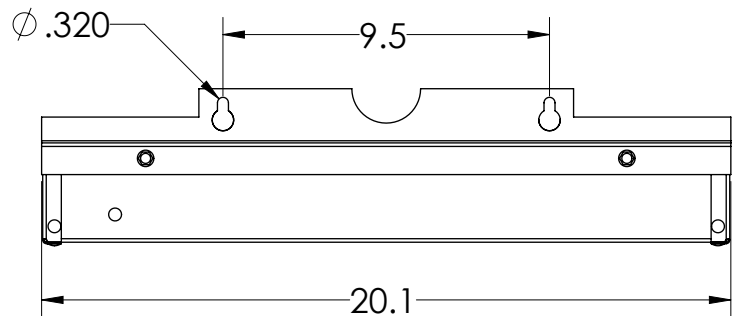
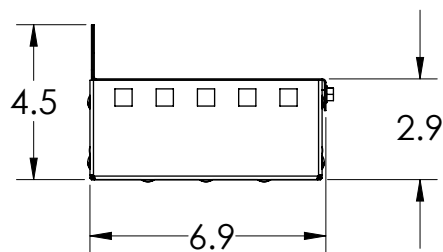
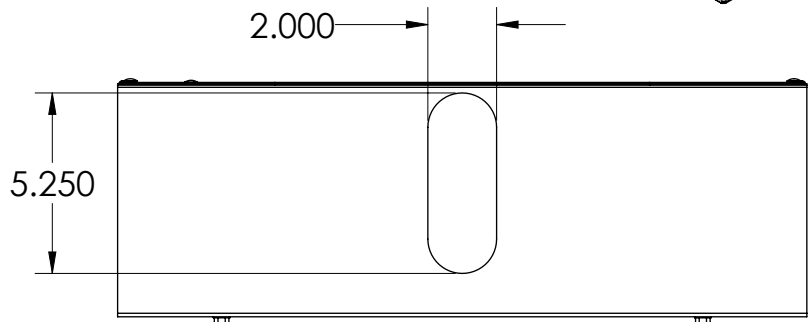
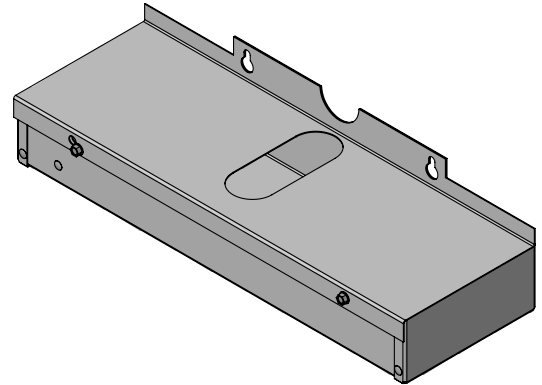
Project: _____	Submitted: _____
Customer: _____	Approved: _____
Location: _____	

JencoFan will not be responsible for fabrication changes or errors resulting from customer use of a non-current submittal drawing.

## GREASE TROUGH FOR SERIES CM

### Features

- Allows grease to collect in an easy to service container keeping roof area clean.
- Design allows for water and grease separation.
- Weather resistant aluminum construction.



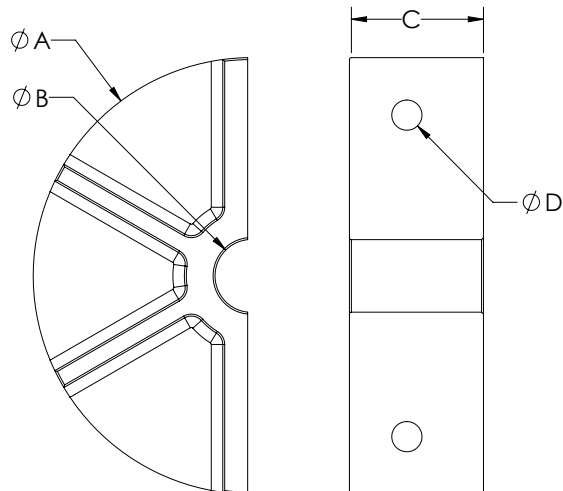
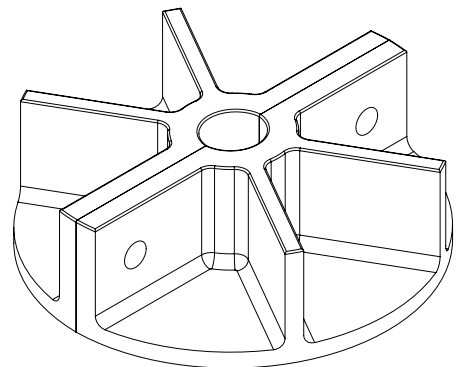
ACCESSORY MODEL	1	2	3	4	5	REMARKS

Project: _____	Submitted: _____
Customer: _____	Approved: _____
Location: _____	

JencoFan will not be responsible for fabrication changes or errors resulting from customer use of a non-current submittal drawing.

### Features

- 2-Part cast aluminum cooling disk mounted on the fan shaft between the inboard bearing and fan housing.
- The disc dissipates heat conducted along the fan shaft and promotes air circulation in the motor compartment.
- Extends motor and bearing life.
- Comes standard when ordering cULus793 listing.



CM MODEL	A (IN)	B (IN)	C (IN)	D (IN)
10	4-1/2	3/4	1-3/8	5/16
12-16	4-1/2	1	1-3/8	5/16
18-24	8-11/16	1-1/2	1-3/8	7/16
27-30	10-1/4	1-3/4	1-7/16	7/16
36	10-1/4	2-3/16	1-7/16	7/16

NOTE: DIMENSIONS ROUNDED TO NEAREST 1/16"

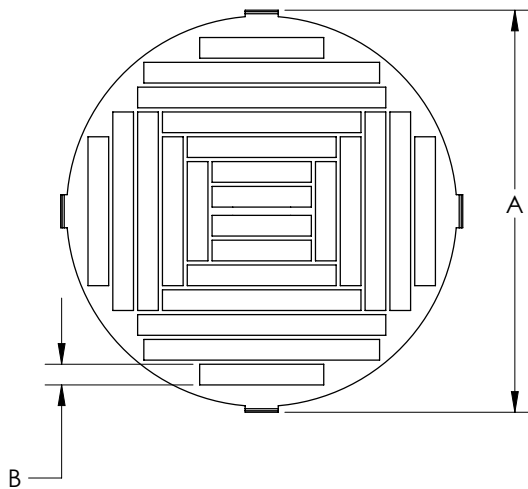
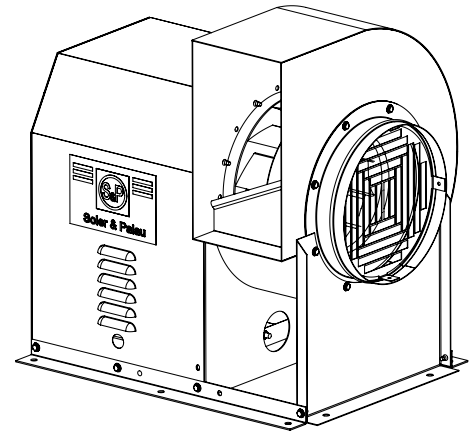
ACCESSORY MODEL	1	2	3	4	5	REMARKS

Project: _____	Submitted: _____
Customer: _____	Approved: _____
Location: _____	

JencoFan will not be responsible for fabrication changes or errors resulting from customer use of a non-current submittal drawing.

### Features

- Heavy-gauge galvanized steel construction.
- Protects people and the fan entrance from unwanted debris in non-ducted installations.
- Inlet guards meet OSHA guidelines.

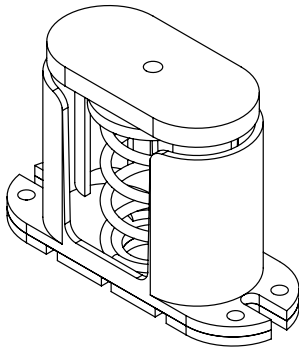
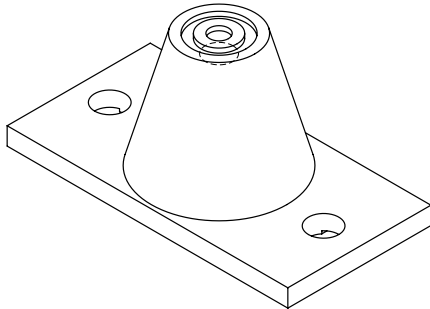


CM MODEL	A (IN)	B (IN)
10	9-9/16	5/8
12	12-1/8	5/8
14	13-3/4	5/8
16	15-1/2	5/8
18	17-7/16	5/8
20	19-7/16	5/8
22	21-13/16	5/8
24	24-9/16	5/8
27	27-11/16	3/4
30	31-1/4	3/4
36	35-3/16	3/4

ACCESSORY MODEL	1	2	3	4	5	REMARKS

Project: _____	Submitted: _____
Customer: _____	Approved: _____
Location: _____	

JencoFan will not be responsible for fabrication changes or errors resulting from customer use of a non-current submittal drawing.



CM MODEL	NEOPRENE ISOLATOR RATED CAPACITY (LBS)	SPRING ISOLATOR RATED CAPACITY (LBS)
10	45	75
12	75	75
14	75	75
16	75	75
18	125	125
20	125	125
22	235	200
24	235	200
27	235	310
30	380	310
36	380	310

NOTE: RATED CAPACITY PER ISOLATOR. EACH KIT COMES WITH 4 ISOLATORS.

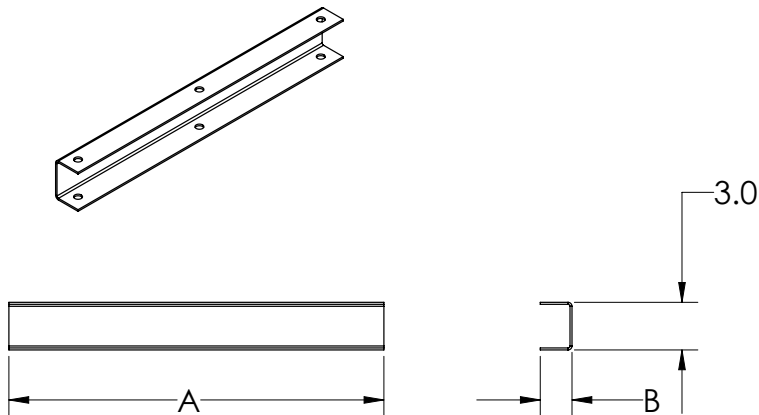
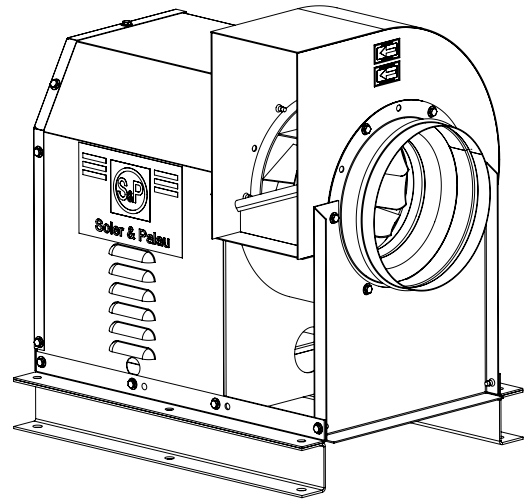
ACCESSORY MODEL	1	2	3	4	5	REMARKS

Project: _____	Submitted: _____
Customer: _____	Approved: _____
Location: _____	

JencoFan will not be responsible for fabrication changes or errors resulting from customer use of a non-current submittal drawing.

### Features

- Heavy-duty 10GA galvanized steel construction.
- Raises the CM unit 3in.
- Easily mounts to CM bottom angles.



CM MODEL	A (IN)	B (IN)
10	23-5/8	2
12	27	2
14	28-5/8	2
16	29-3/4	2-1/2
18	35-1/4	2-1/2
20	36-7/8	2-1/2
22	38-1/2	2-1/2
24	40-1/4	2-1/2
27	43-5/8	2
30	51-1/4	2
36	52-3/8	2

ACCESSORY MODEL	1	2	3	4	5	REMARKS

Project: _____	Submitted: _____
Customer: _____	Approved: _____
Location: _____	

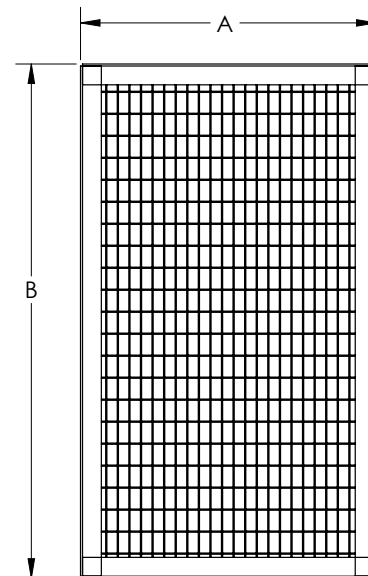
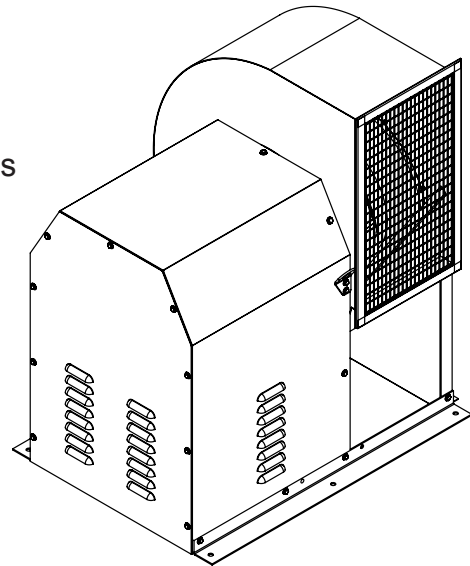
JencoFan will not be responsible for fabrication changes or errors resulting from customer use of a non-current submittal drawing.

### Features

- Heavy-gauge wire protects people and unwanted debris from entering fan outlet.
- Outlet guard comes with outlet flange.
- Not for UL762 use.
- Outlet guards meet OSHA guidelines.

CM MODEL	A (IN)	B (IN)
10	9	14-3/4
12	11	18
14	12	20
16	13	22
18	14	24-1/2
20	15-3/4	27-1/4
22	17-1/4	30-1/4
24	19-1/4	33-3/4
27	21	37-1/2
30	23	41-3/4
36	25-1/2	46-1/2

NOTE: DIMENSIONS ROUNDED TO NEAREST 1/4"



ACCESSORY MODEL	1	2	3	4	5	REMARKS

Project: _____	Submitted: _____
Customer: _____	Approved: _____
Location: _____	

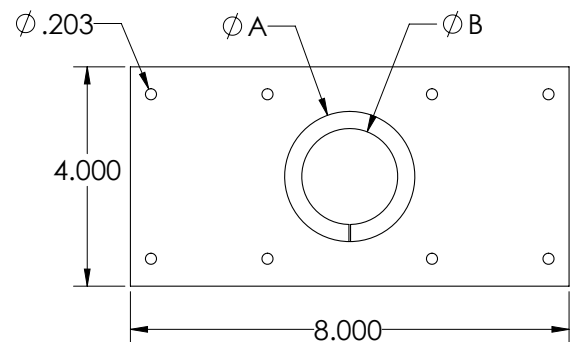
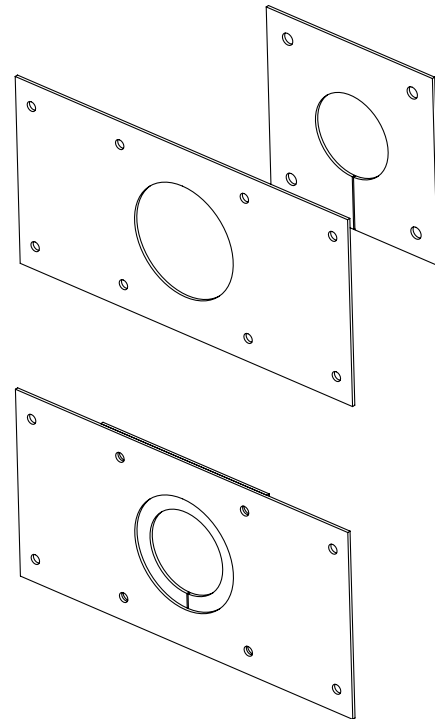
JencoFan will not be responsible for fabrication changes or errors resulting from customer use of a non-current submittal drawing.



### Features

- 14GA aluminum cover plate secures seal and prevents sparks.
- Seal is made from non-asbestos fibrous material.
- Helps reduce heat and air transfer from the wheel compartment.

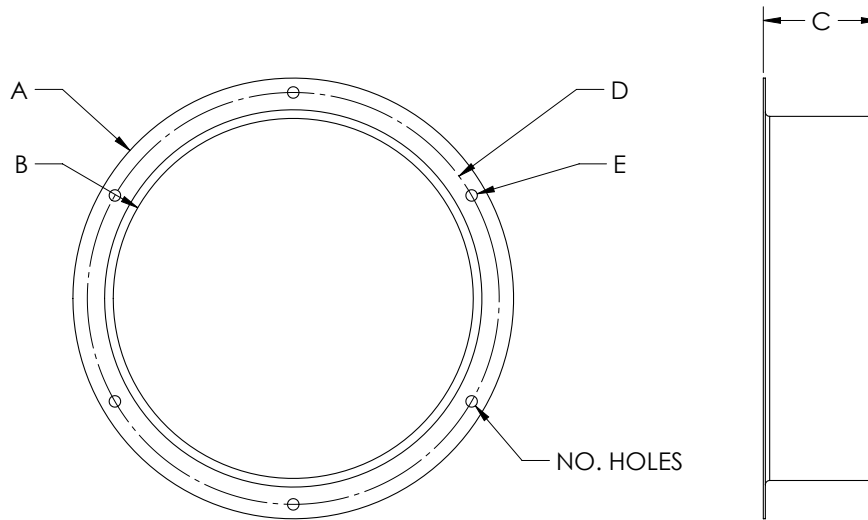
CM MODEL	A (IN)	B (IN)
10	2	3/4
12	2	1
14	2	1
16	2	1
18	2	1-1/2
20	2	1-1/2
22	2	1-1/2
24	2	1-1/2
27	2	1-3/4
30	2	1-3/4
36	2.375	2



ACCESSORY MODEL	1	2	3	4	5	REMARKS

Project: _____	Submitted: _____
Customer: _____	Approved: _____
Location: _____	

JencoFan will not be responsible for fabrication changes or errors resulting from customer use of a non-current submittal drawing.



CM MODEL	A (IN)	B (IN)	C (IN)	D (IN)	E (IN)	NO. HOLES
10	12-1/16	9-13/16	3-1/8	11-1/4	5/16	6
12	15-1/4	12-3/8	4-3/4	14	5/16	8
14	16-5/8	14	4-3/4	15-1/2	3/8	8
16	18-5/16	15-3/4	4-3/4	17-1/4	3/8	8
18	20-5/16	17-11/16	4-3/4	19-3/16	3/8	8
20	22-1/4	19-11/16	4-3/4	21-5/16	3/8	8
22	25-7/16	22	4-3/4	23-3/4	3/8	8
24	28-3/16	24-13/16	4-3/4	26-9/16	3/8	8
27	31-5/16	27-15/16	4-3/4	29-9/16	3/8	8
30	34-7/8	31-1/2	4-3/4	32-15/16	1/2	12
36	38-13/16	35-7/16	4-3/4	36-3/4	1/2	12

NOTE: DIMENSIONS ROUNDED TO NEAREST 1/16"

ACCESSORY MODEL	1	2	3	4	5	REMARKS

Project: _____	Submitted: _____
Customer: _____	Approved: _____
Location: _____	

JencoFan will not be responsible for fabrication changes or errors resulting from customer use of a non-current submittal drawing.